

Flood Lighting

**150 Watt****Introduction:**

The 150W LED Flood light design to replace up to 250W conventional lights. These advantages like saving of 60~80% electricity, Instant light up, Range of beam angle availability, targeted illumination and so on, has made this product popular. The Flood 150 Watt LED uses Lustrous light engine that has passed LM80 Standard and high CRI of above 80Ra.

Product Model: BM-150W

Product Family : LED Flood Light

Application: Indoor/Outdoor Lighting

IP Rating: 65

Power Unit: Mean Well 240Vac 50/60Hz

Optical Use: Optical Lens/Reflector

Color: Gray/White

Fixture Material: Aluminium

Power Consumption: 150Watts

Number of LEDs: 4 pcs

Type Of LED: COB

Luminous Flux: 16500 lm

Color Temperature: 3000,4000,5500 K

Color Rendering Index: >80

Life Span: 30000Hrs

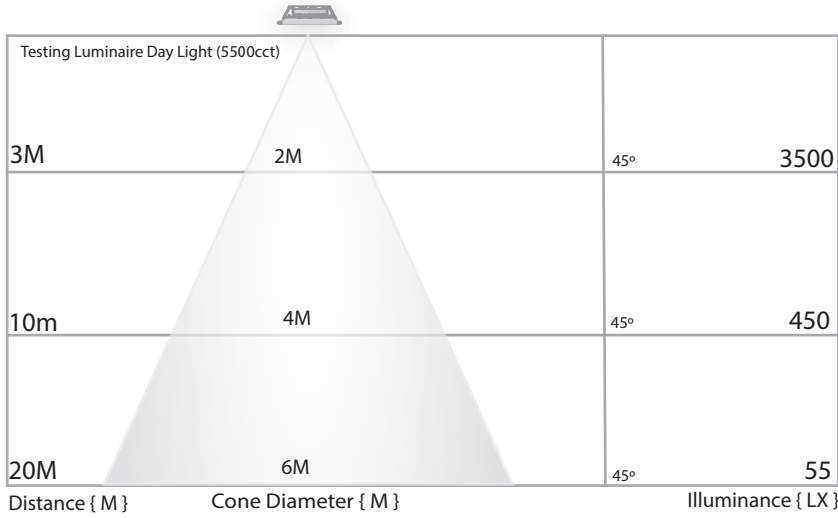
Weight: 9.50kg

150Watt Flood Light

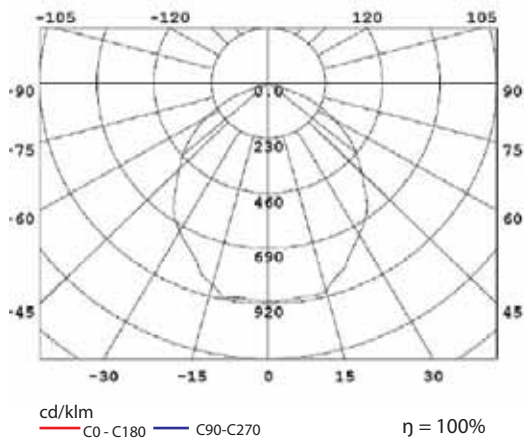


BMFL-150W Cone Diagram

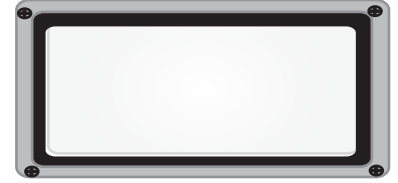
Luminaire : Flood 150 W LED Light
LED Type : COB x 4



Photometric Curve



List of Material



Aluminum Fixture



Optical Lens/Reflector

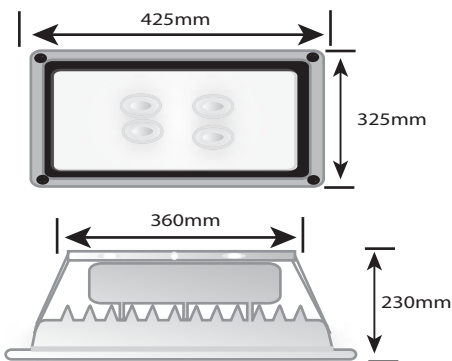


COB LED



Mean Well Power Source

BMFL-150W Dimensions (Figures in Millimeter)



Material: Aluminium
Color: Gray/White
IP Rating: 65
Water Proofing: Silicon
Weight: 9.50kg

Product Ordering System

BMFL-150-4 xx

Product Series

Rated Power

LED Qty

Color

Bematech
Flood Light

150= 150W

4= 4pcs COB

DL=Daylight (6000K)
CW=Coolwhite (4000K)
WW=Warmwhite (3000K)