



100W AC LED Flood Light



Product Feature

- AC Integrated Driver, High Reliability, PF>0.98
- With OVP, OTP and OCP Protection
- 6KV -10KV Surge Protection(External SPD)
- LED SMD3030, CRI>80
- Can pass CE, RoHS,FCC,SAA,RCM Certification
- CCT:3000K,4000K,6000K Options
- Long life:30,000 hrs,3 years warranty
- 60° / 70*120° beam angle (with lens)
- High efficiency, High Lumen LUX
- No UV or Infrared Radiation

Description

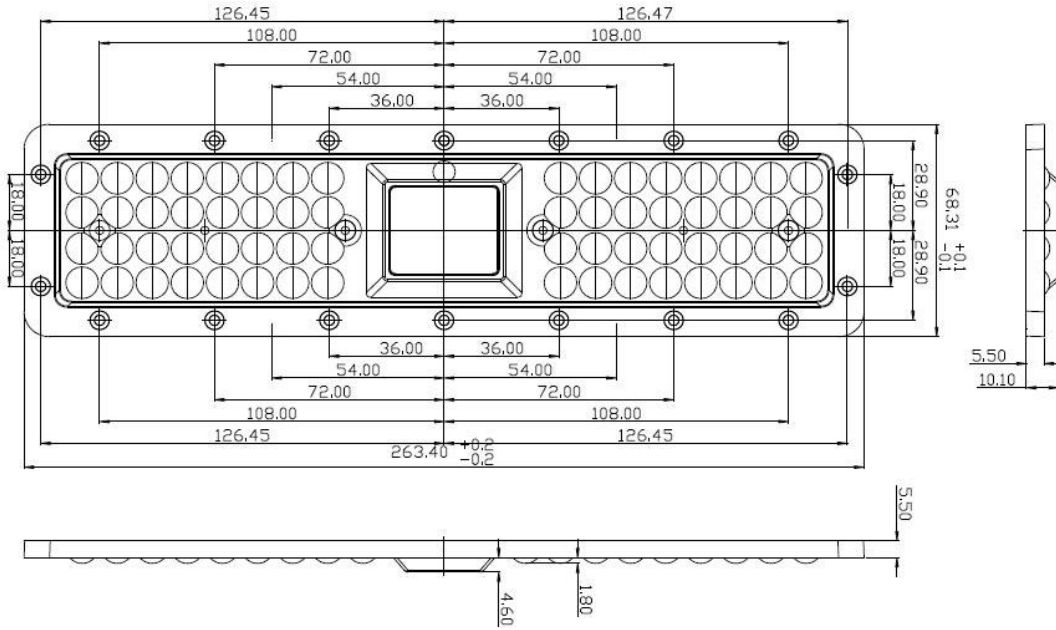
| | | | |
|-------------------|--|----------|----------|
| Light Source: | SMD 3030 64pcs / 2 Modules | | |
| Rated Power(W): | 100W±5% @230VAC | | |
| Input Voltage(V): | 200-265VAC | | |
| PF: | 0.98 | | |
| Led Driver: | AC linear | | |
| Surge Protection: | 6KV -10KV Surge Protection(External SPD) | | |
| Lumious(lm): | 105lm/W±5% | | |
| CCT(K): | WW 3000K | NW 4000K | CW 6000K |
| CRI: | >80 | | |
| Beam Angle: | 60° / 70*120° | | |
| Material: | Aluminum +PC Diffusion Cover | | |
| Lifespan(H) | >30,000 | | |
| Operation Temp. | -33℃-55℃ | | |
| Weight | 2.3kg | | |
| Dimension(mm): | 300*200*205/300*220*225/500*100*150mm | | |

Product Application

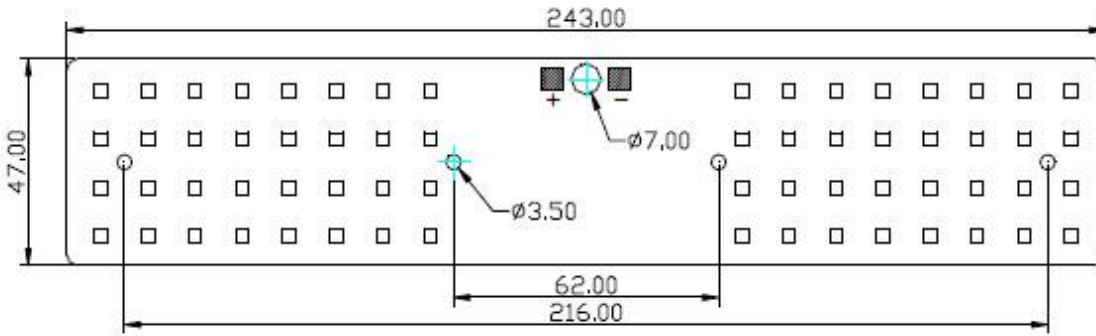
Storage Lighting, Industrial Lighting, Architectural Lighting, Landscape Lighting, Store Lighting, Stadium Lighting, Tunnel lighting and so on



Lens Dimension



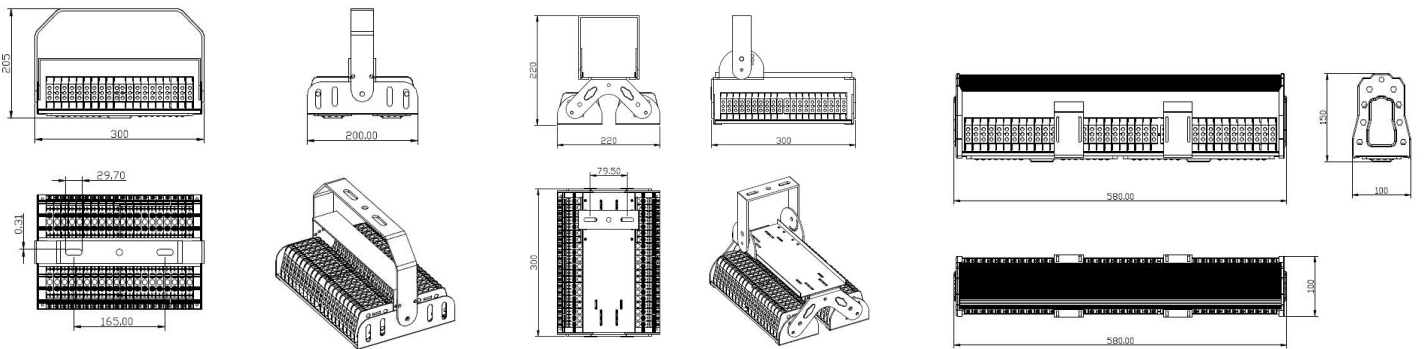
PCB Dimension



Heat sink (non-adjustable) Dimension

Heat sink (adjustable) Dimension

Heat sink (linear type) Dimension



Please enlarge picture for details!

PCB Light Board



60 Degree Lens Cover

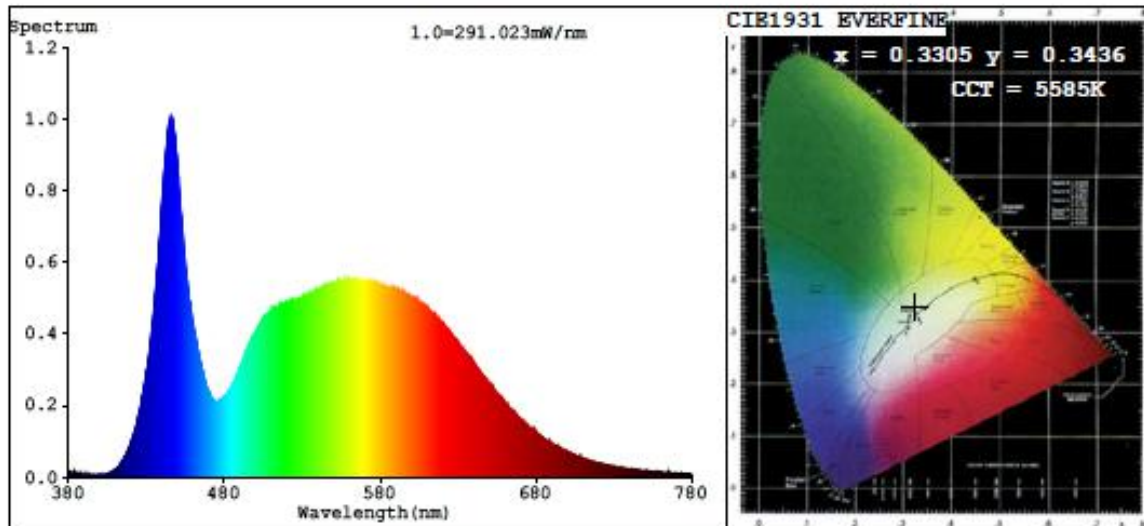


纯铝散热套件





Spectrum Test Report



Color Parameters:

Chromaticity Coordinate: $x=0.3305$ $y=0.3436$ $u'=0.2046$ $v'=0.4785$

CCT=5585K (Duv=0.0021) Dominant WL:Ld =537.8nm Purity=2.4%

Ratio:R=14.8% G=80.4% B=4.7% Peak WL:Lp=445.9nm FWHM=21.9nm

Render Index:Ra=83.4

R1 =82 R2 =86 R3 =89 R4 =85 R5 =84 R6 =82 R7 =87
 R8 =73 R9 =17 R10=67 R11=86 R12=68 R13=83 R14=94 R15=78

Photo Parameters:

Flux = 10292 lm Eff. : 105.33 lm/W Fe = 33.19 W

Electrical parameters:

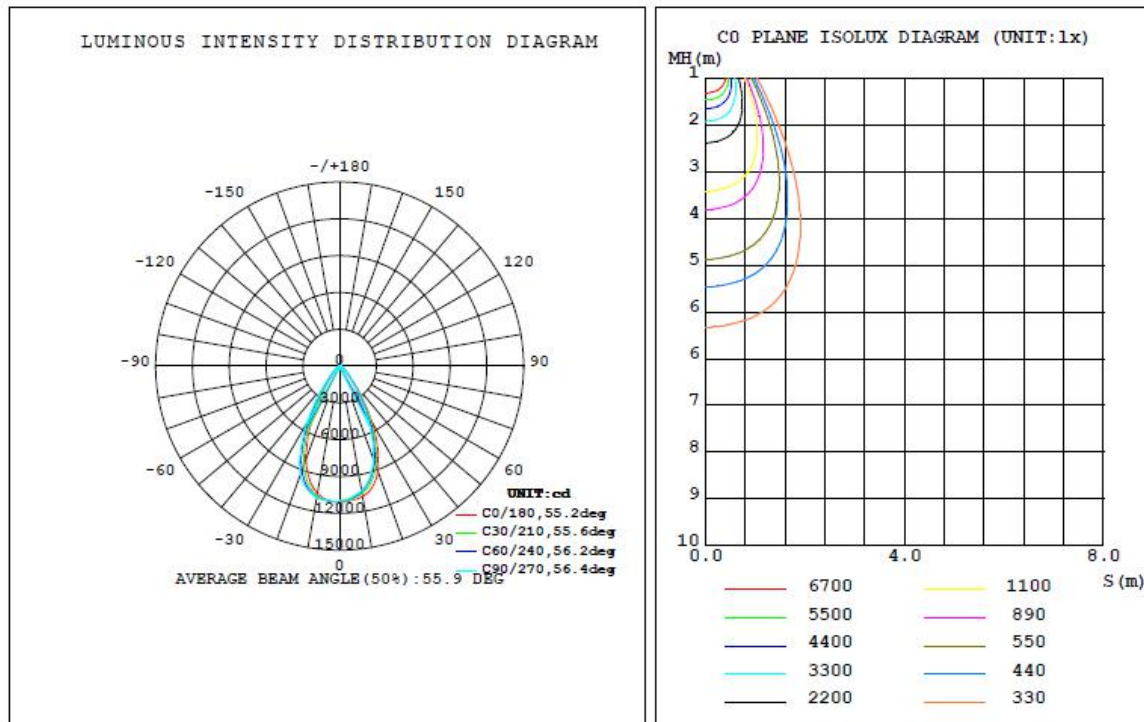
V = 220.34 V I = 0.4494 A P = 97.71 W PF = 0.9868

WHITE:ANSI_5700K

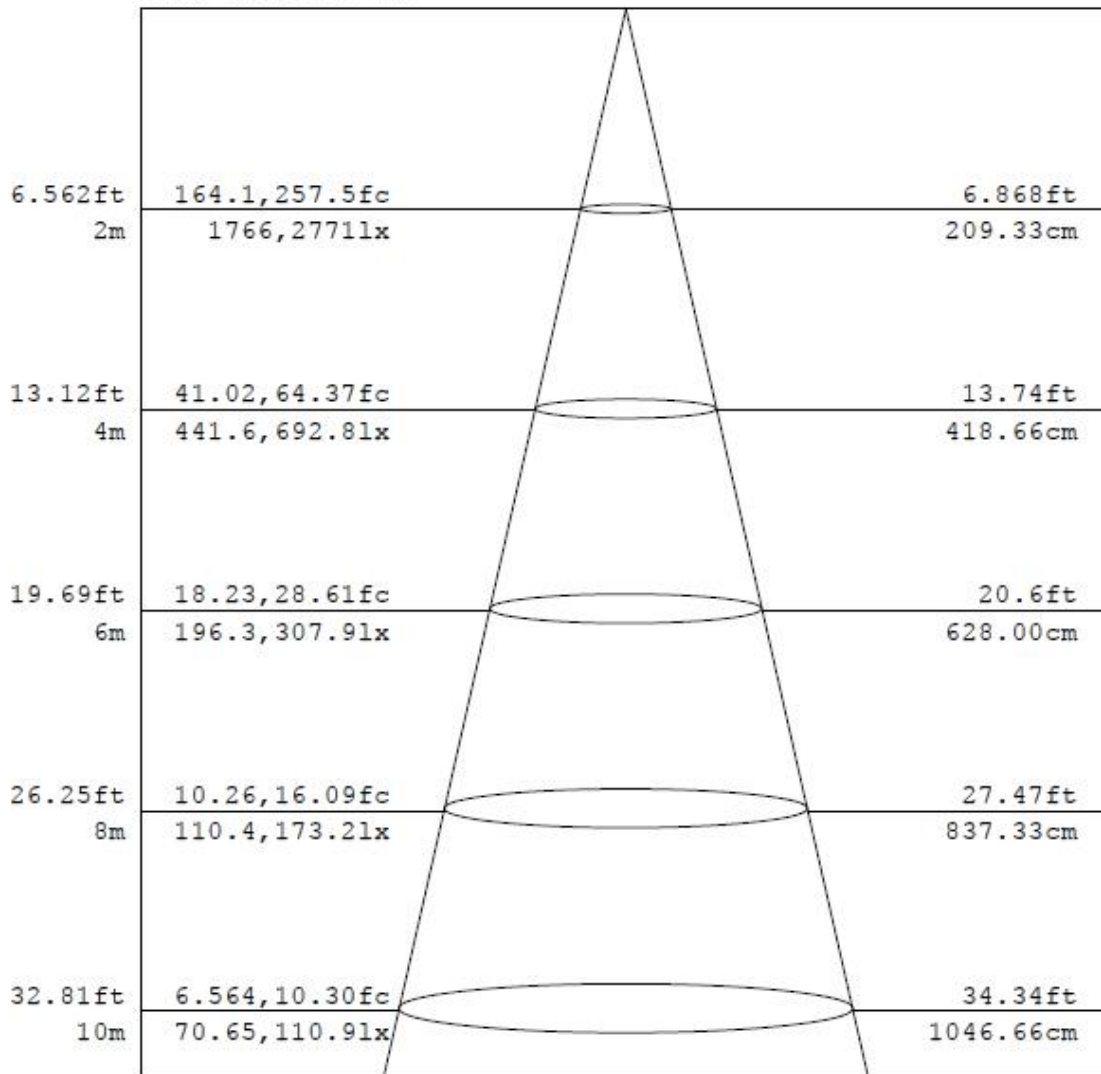
Status: Integral T = 10 ms Ip = 7086 (11%)

| | |
|----------------------|-----------------|
| Model: | Number:4 |
| Tester: | Date:2016-08-03 |
| Temperature:25.3Deg | Humidity:65.0% |
| Manufacturer:SANTREE | Remarks:1 |

100W AC2200 60degree beam angle distribution test :



Flux out: 6275 lm



Height Eavg, Emax Angle: 55.25deg Diameter

Note: The Curves indicate the illuminated area and the average illumination when the luminaire is at different distance.