



### LED 200W UFO HIGH BAY



#### Product Feature

- AC Integrated Driver, High Reliability, PF>0.98
- With OVP, OTP and OCP Protection
- 6KV Surge Protection(External SPD)
- Philips SMD3030 LED chips, CRI>80
- **Waterproof: IP65**
- Can pass CE, RoHS,FCC,SAA,RCM Certification
- CCT:3000K,4000K,6000K Options
- Long life:30,000 hrs,3 years warranty
- 60° beam angle (with lens)
- High efficiency, High Lumen LUX
- No UV or Infrared Radiation

#### Product Application

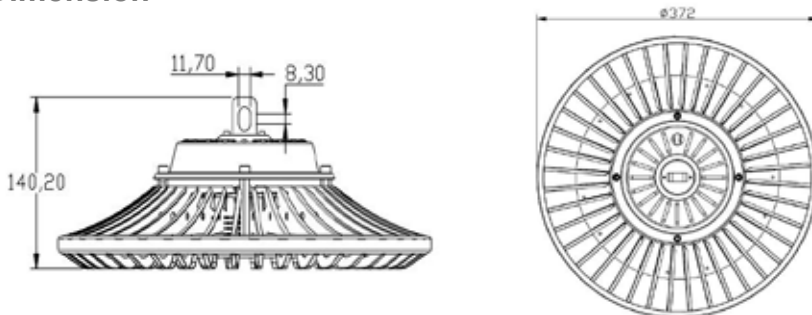
Storage Lighting, Industrial Lighting, Architectural Lighting, Landscape Lighting, Store Lighting, Stadium Lighting



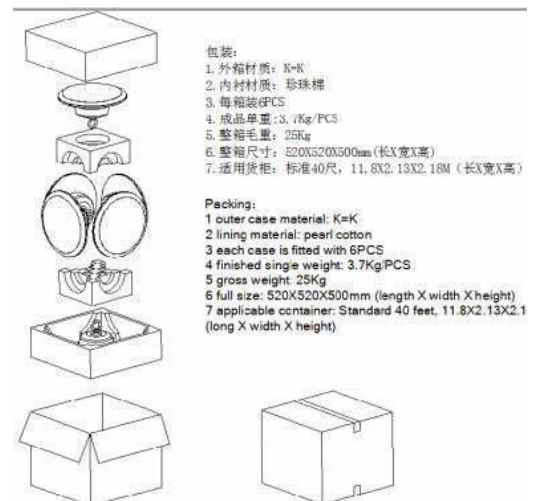
#### Description

Light Source:	SMD 3030 234pcs (Philips LED)		
Rated Power(W):	200W±5% @230VAC		
Input Voltage(V):	200-265VAC		
PF:	0.98 PF		
Led Driver:	AC linear with Over Voltage Protection(OVP)		
Surge Protection:	6KV Surge Protection(External SPD)		
Luminous(lm):	22500lm±5%		
Effect (lm/w) :	112lm/w		
CCT(K):	WW 3000K	NW 4000K	CW 6000K
CRI:	>80		
Beam Angle:	60°		
Material:	Aluminum Fin type Housing + PC Lens		
Waterproof:	IP65		
Lifespan(H)	>30,000		
Operation Temp.	-33℃-55℃		
Weight	2kg/PC		
Dimension(mm):	∅ 372*140mm		
Packing:	520*520*500mm/6PCS/14.7KG		

#### Dimension

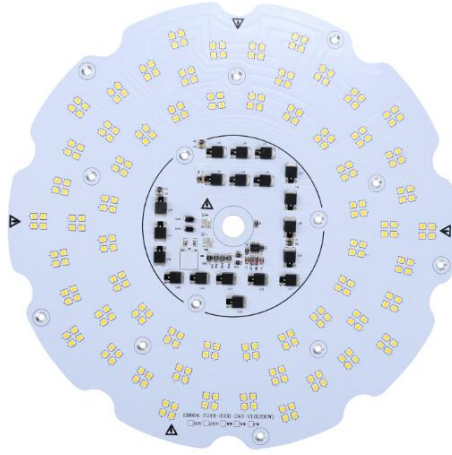


#### Packing



## Product Pictures

**PCB Light Board**



**60 Degree Lens Cover**

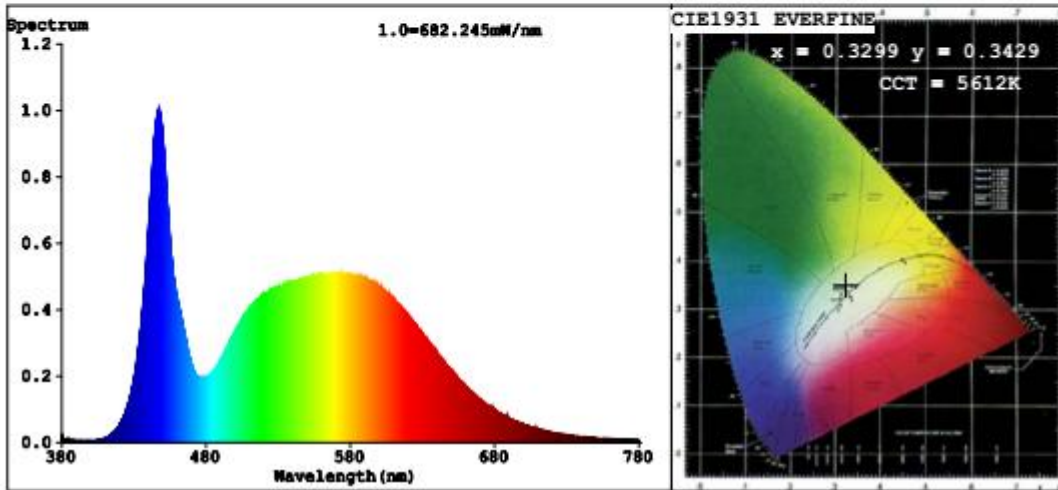


**Aluminum Heat Sink**





Spectrum Test Report



Color Parameters:

Chromaticity Coordinate:  $x=0.3299$   $y=0.3429$   $u'=0.2044$   $v'=0.4781$

CCT=5612K(Duv=0.0021) Dominant WL:Ld =531.4nm Purity=2.0%

Ratio:R=14.5% G=80.9% B=4.6% Peak WL:Lp=447.1nm FWHM=19.6nm

Render Index:Ra=81.5

R1 =80    R2 =85    R3 =88    R4 =83    R5 =82    R6 =80    R7 =86  
 R8 =68    R9 =4    R10=64    R11=83    R12=62    R13=81    R14=94    R15=75

Photo Parameters:

Flux = 22159 lm    Eff. : 112.96 lm/W    Fe = 69.84 W

Electrical parameters:

V = 220.68 V    I = 0.8974 A    P = 196.2 W PF = 0.9906

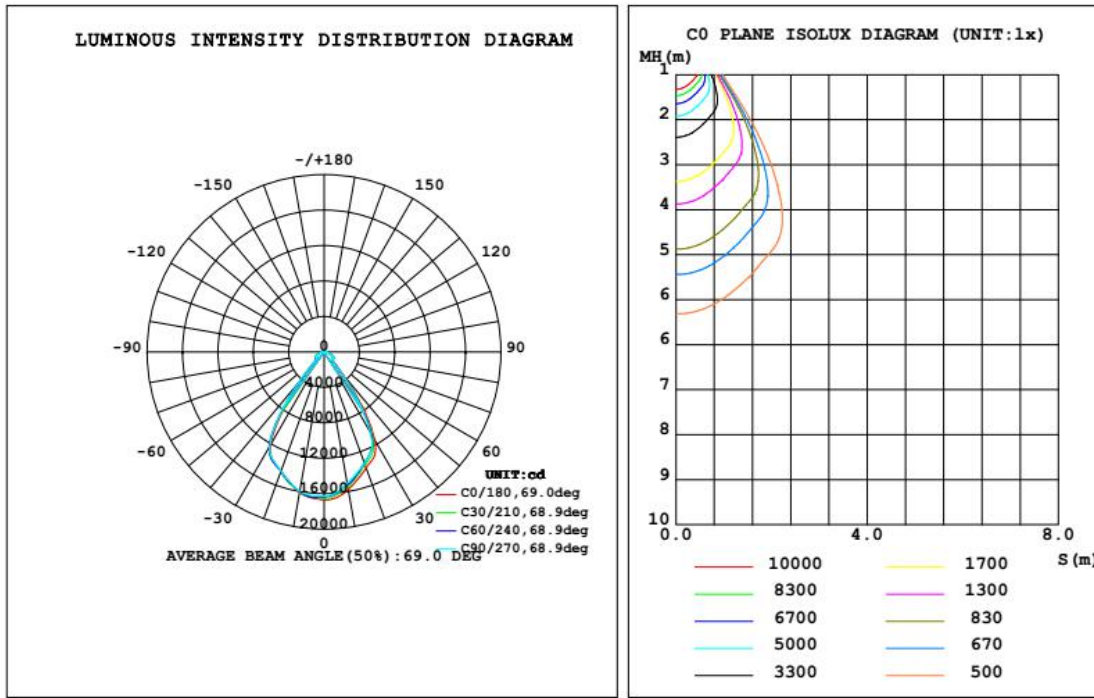
WHITE:ANSI\_5700K

Status: Integral T = 10 ms    Ip = 18365 (28%)

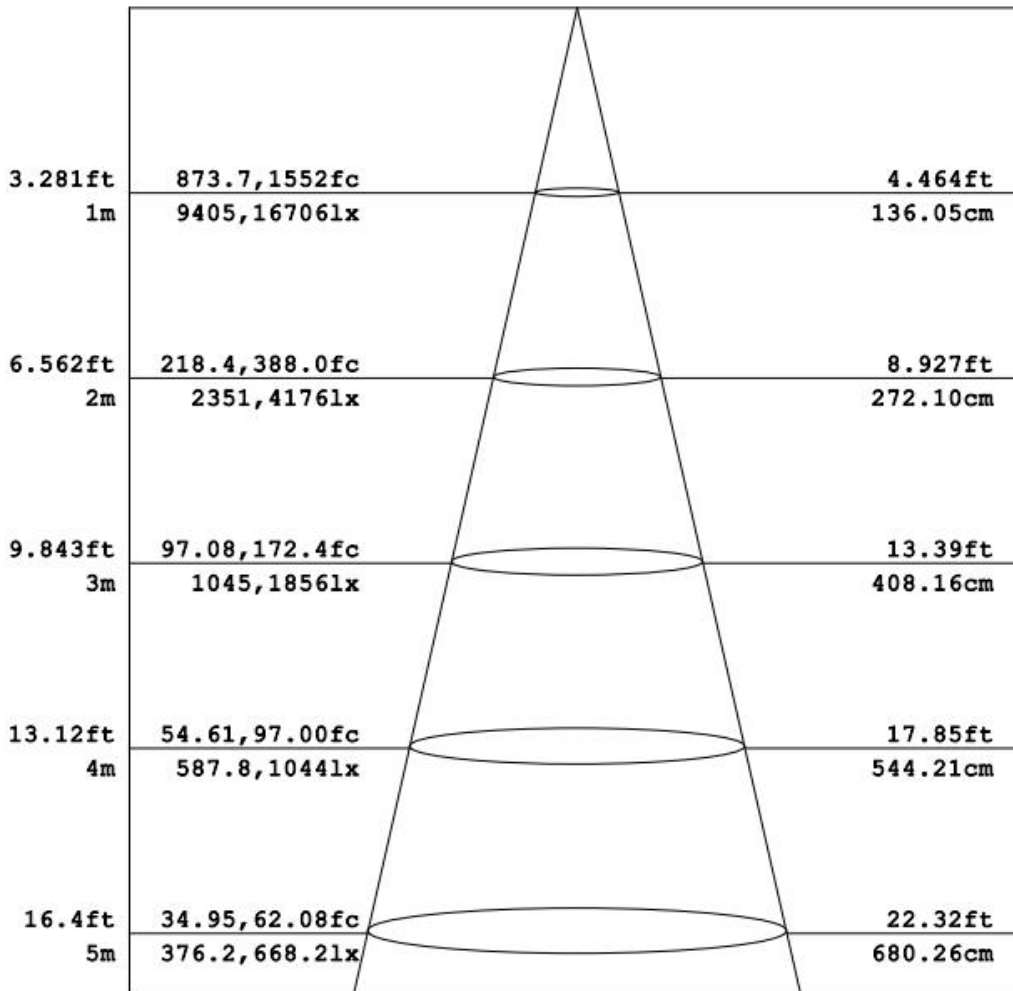
Model:  
 Tester:  
 Temperature:25.3Deg  
 Manufacturer:

Number:1034  
 Date:2017-02-20  
 Humidity:65.0%  
 Remarks:1

200W,220VAC,6000K,60 degree,Distribution test



Flux out:14486 lm



Height Eavg, Emax Angle:68.45deg Diameter

Note: The Curves indicate the illuminated area and the average illumination when the luminaire is at different distance.