



180W AC LED High Bay Light



Product Feature

- AC Integrated Driver, High Reliability, PF>98
- With OVP, OTP and OCP Protection,
- 4KV Surge Protection,
- LED SMD3030, CRI>80,
- CE, RoHS, FCC, SAA, RCM Certification
- Hook Base, Replace 400W Metal Halide Lamp
- CCT: 3000K, 4000K, 6000K Options,
- Long life: 30,000 hrs, 3 years warranty,
- 60°, 90°, 120° Degree (with reflector)
- High efficiency, High Lumen LUX
- No UV or Infrared Radiation

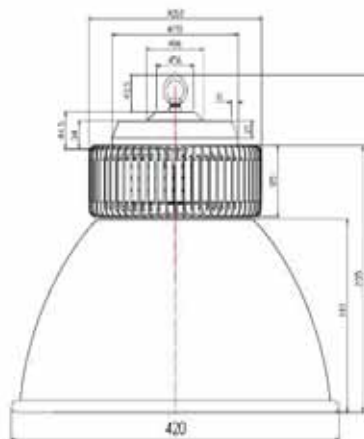
Description

Light Source:	SMD 3030 240pcs		
Rated Power(W):	180W±5% @230VAC		
Input Voltage(V):	200-265VAC		
PF:	>0.98		
Led Driver:	AC Linear		
Surge Protection:	>4KV		
Lumious(lm):	16000lm±5%		
CCT(K):	WW 3000K	NW 4000K	CW 6000K
CRI:	>80		
Beam Angle:	60°/90°/120°		
Material:	Aluminum +PC Diffusion Cover		
Lifespan(H)	>30,000		
Operation Temp.	-20°C-45°C		
Weight	≤2.8KG		
Dimension(mm):	Ø420*269/Ø470*319/Ø500*289		
Packing:	620/*310/*260mm/2pcs/Carton		

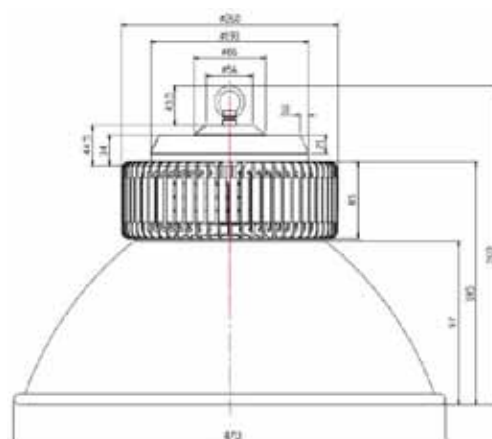
Product Application



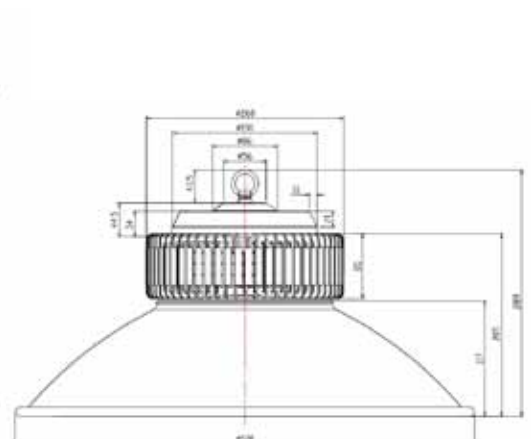
Dimension (mm)



60°

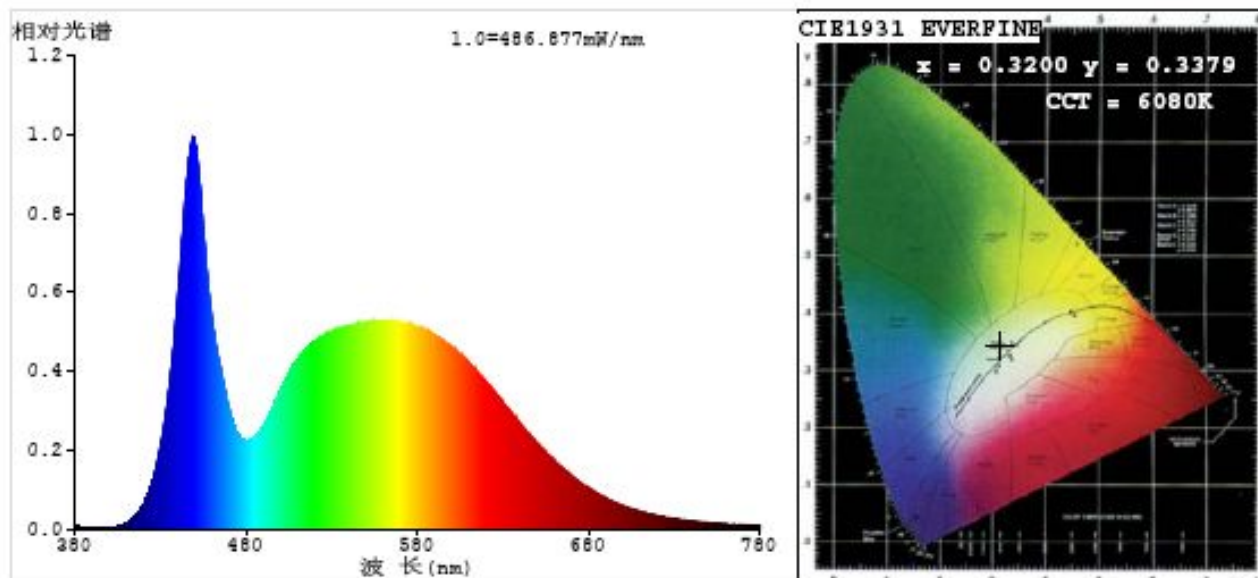


90°



120°

180W AC220V 6000K:



颜色参数:

色品坐标: $x=0.3200$ $y=0.3379$ / $u'=0.1995$ $v'=0.4741$

相关色温: CCT=6080K (色差 $Duv=0.0041$) 主波长: $\lambda_d=496.1\text{nm}$ 色纯度: Purity=4.3%

色比: R=13.6% G=81.4% B=5.0% 峰值波长: $\lambda_p=448.8\text{nm}$ 半峰带宽: FWHM=23.6nm

显色指数: Ra=81.6

R1 =80

R2 =85

R3 =89

R4 =83

R5 =81

R6 =80

R7 =87

R8 =69

R9 =5

R10=64

R11=82

R12=60

R13=81

R14=94

R15=75

光度参数:

光通量 $\phi = 16445$ lm 光效: 93.74 lm/W 辐射通量 $\phi_e = 52.59$ W

电参数:

电压 $V = 230.24$ V 电流 $I = 0.7700$ A 功率 $P = 175.4$ W 功率因数 PF = 0.9896

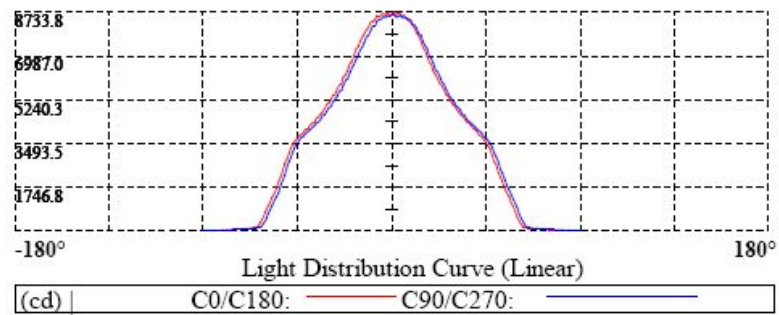
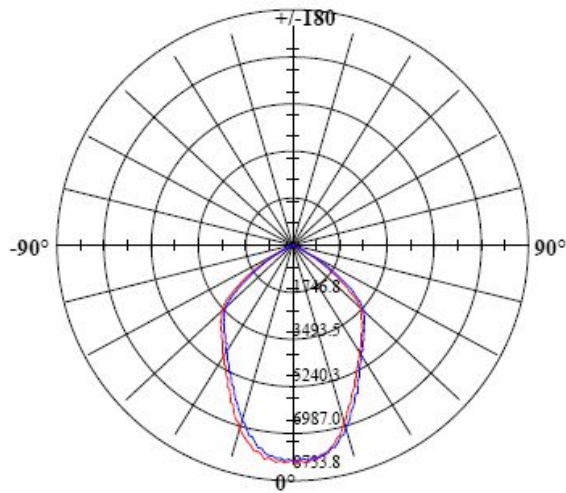
分级: OUT

白光分类: ANSI_6500K

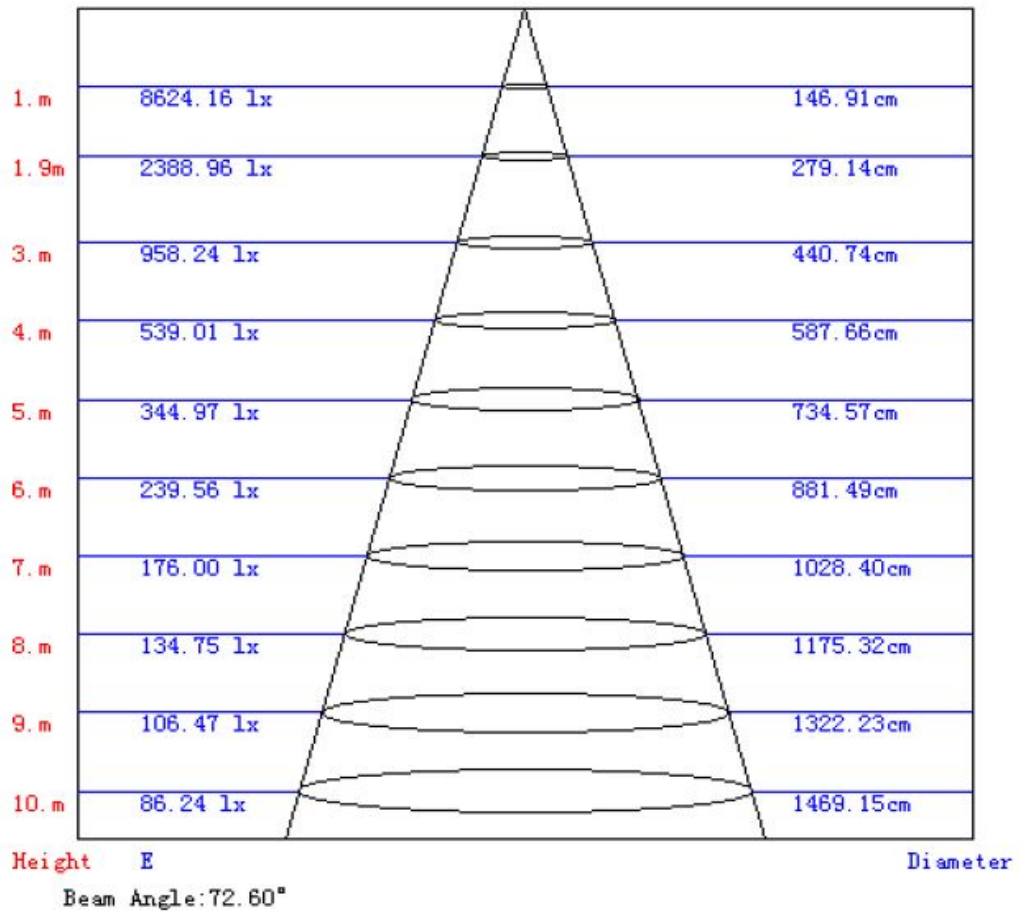
仪器状态: 积分时间 $T = 32$ ms $I_p = 48638$ (74%)

180W AC220V 6000K 60° :

Light Distribution Curve [Unit: cd]

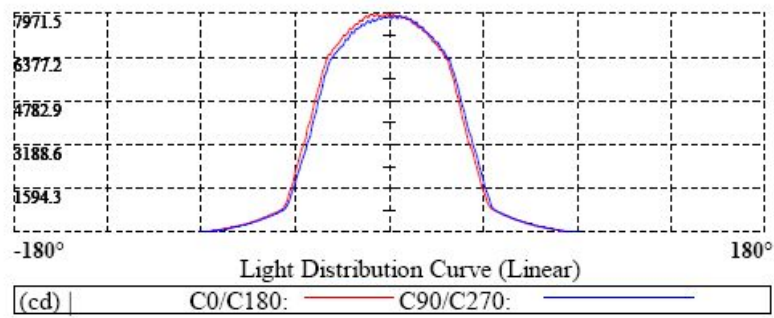
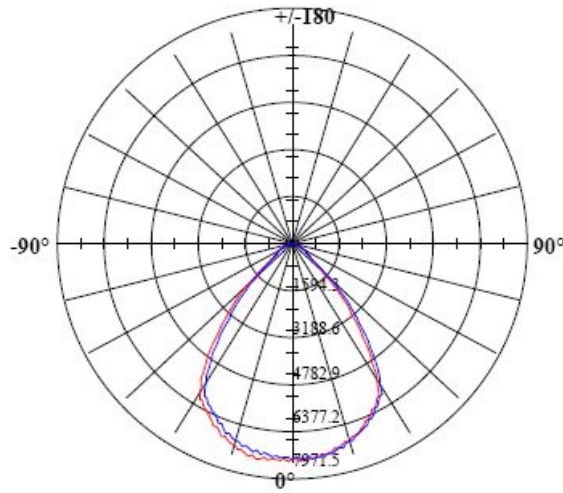


Lux-Distance Curve

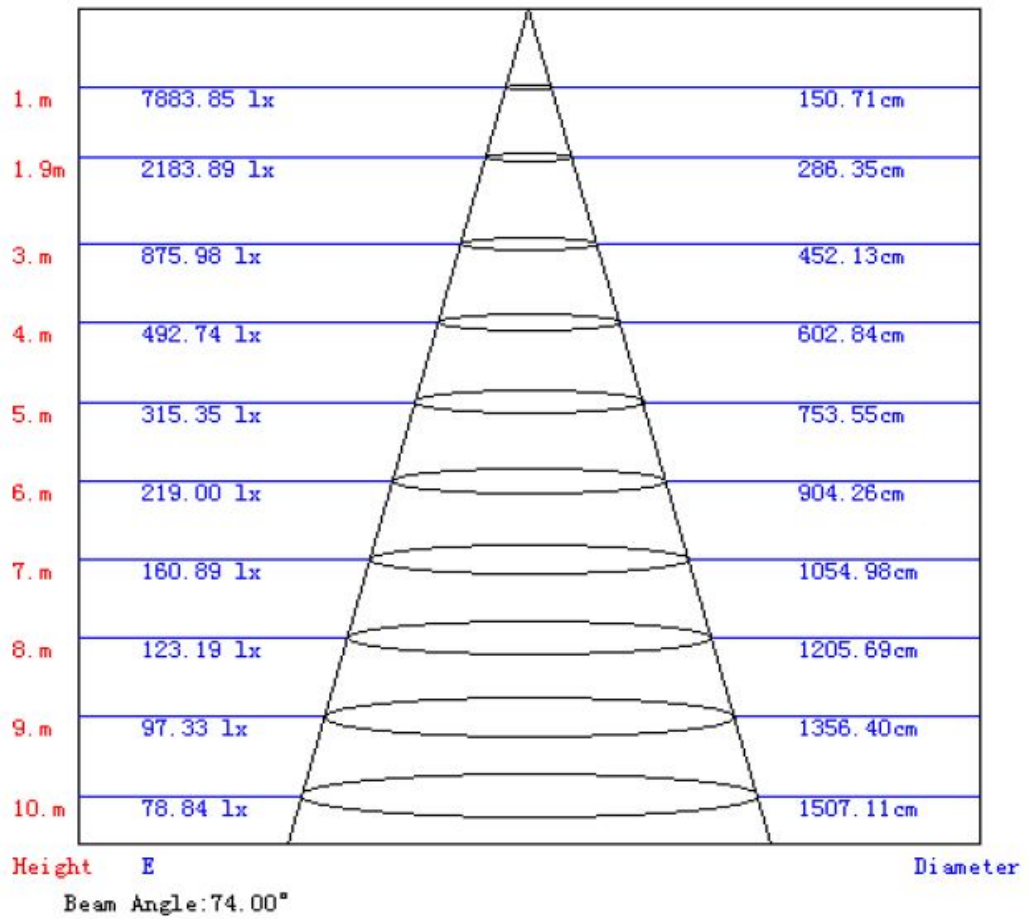


180W AC220V 6000K 90° :

Light Distribution Curve [Unit: cd]

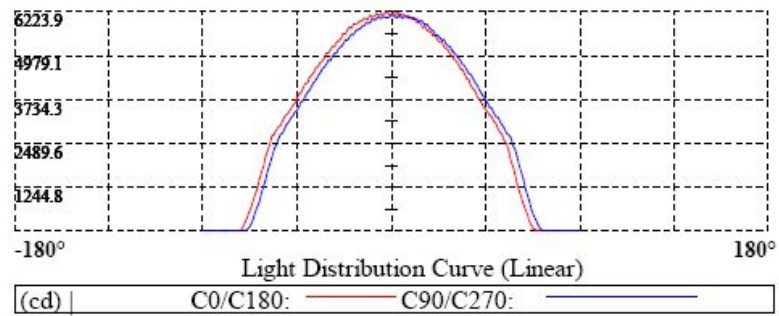
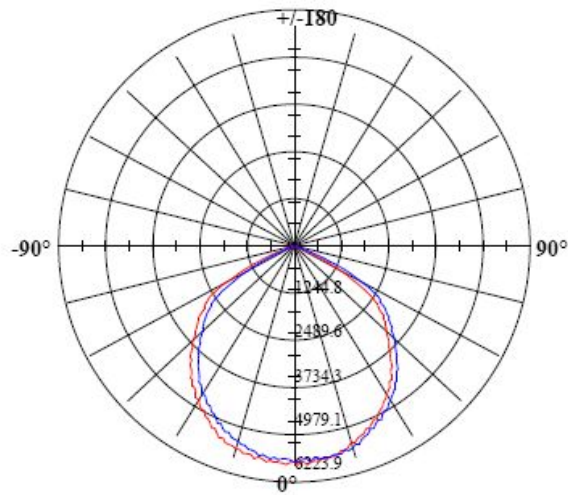


Lux-Distance Curve



180W AC220V 6000K 120° :

Light Distribution Curve [Unit: cd]



Lux-Distance Curve

