



LED Bulb 20W (E27)

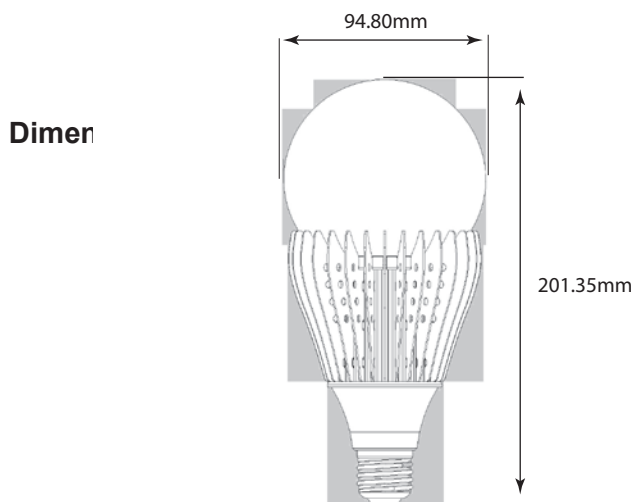
Bematech LED Bulbs are made to replace traditional light bulbs such as incandescent and compact fluorescents.

They are direct replacement for the E27 base bulbs and available in different colors. Our high color rendering provide superior quality of lights that is free of harmful UV and IR waves.

Specification summary:

Part No	BM-BL20W
Dimension (mm)	Ø94.8* 201.35mm
Rated Power	20W
LED Chip	SMD2835
Luminous Flux	>1750 lm
CRI	> 80
Efficiency	100/110 lm/W
Power Factor	>0.90
Input Voltage	AC240V/50-60HZ

*RF control and Color changing bulbs is available.



Screw Edison E27

